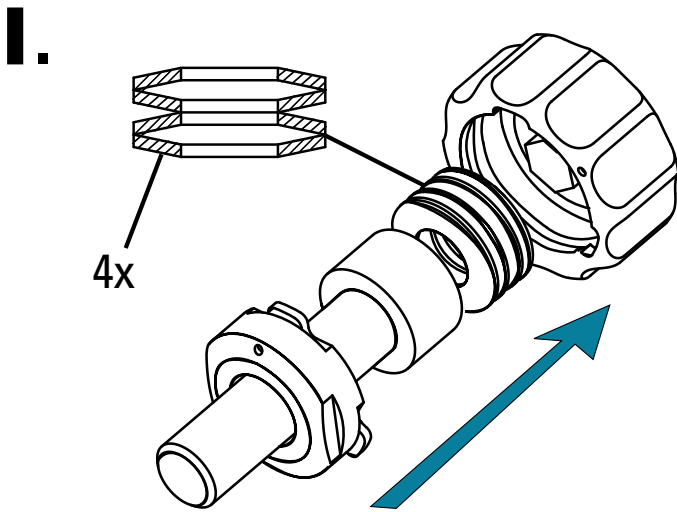
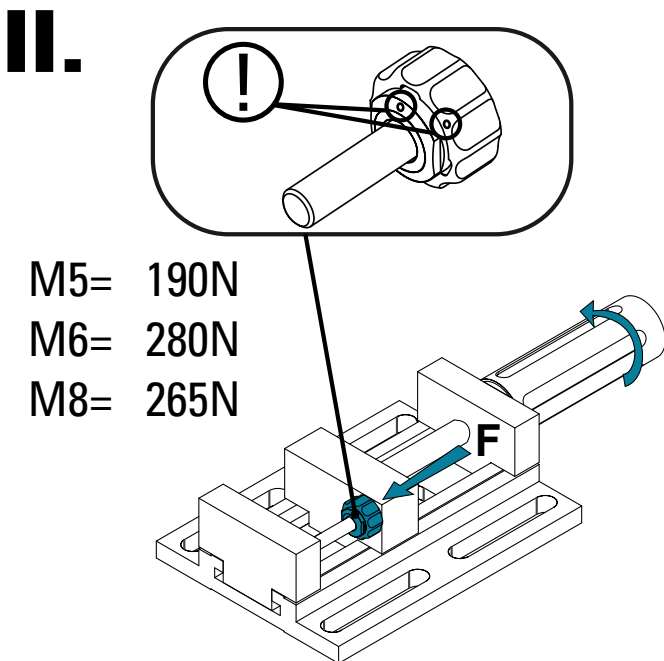
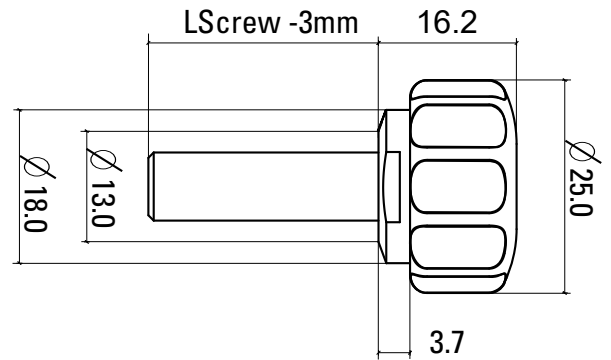


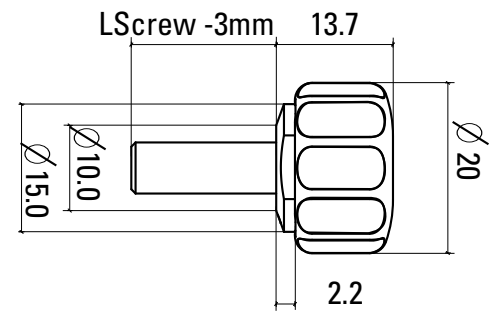
# Easyknob



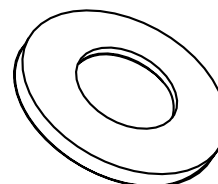
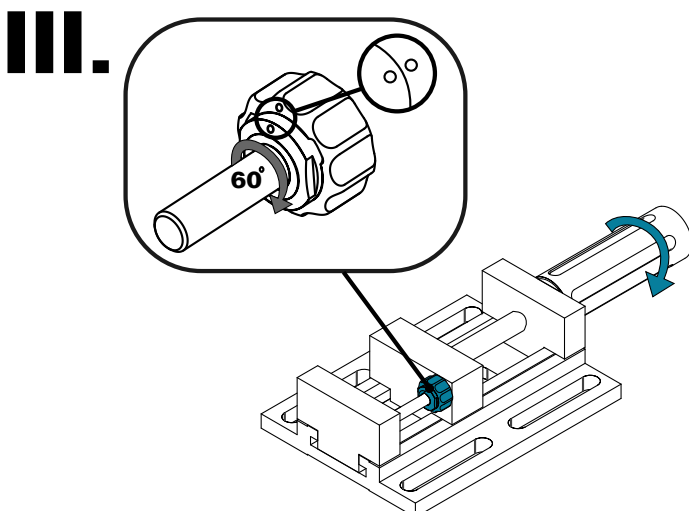
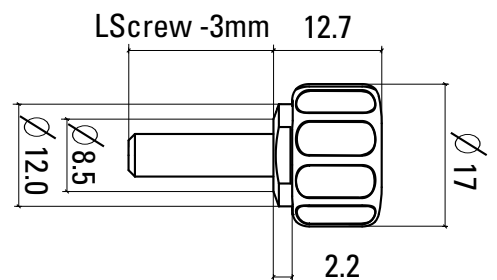
M8



M6

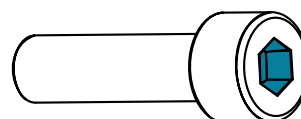


M5



Disc spring  
M5=10-5.2-0.4-B-DIN2093  
M6=12.5-6.2-0.5-B-DIN2093  
M8=14-7.2-0.5-B-DIN2093

Hexagon socket screw



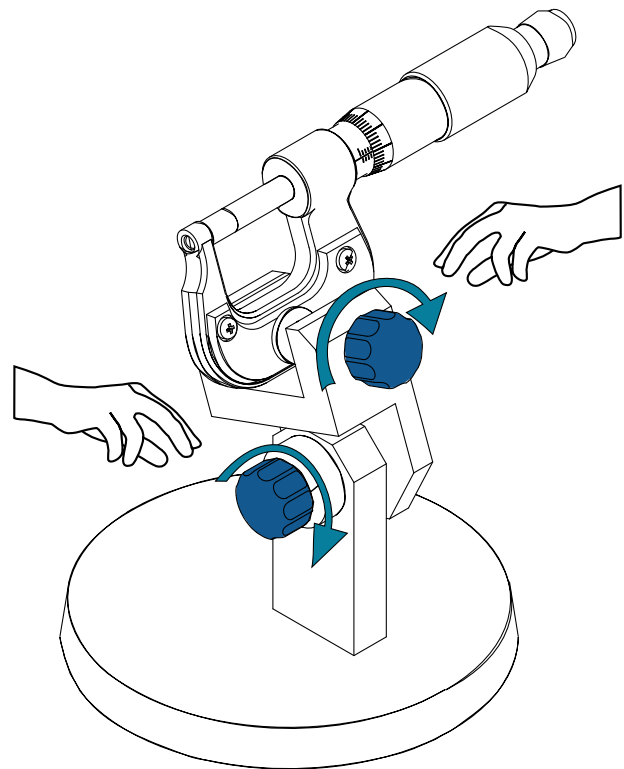
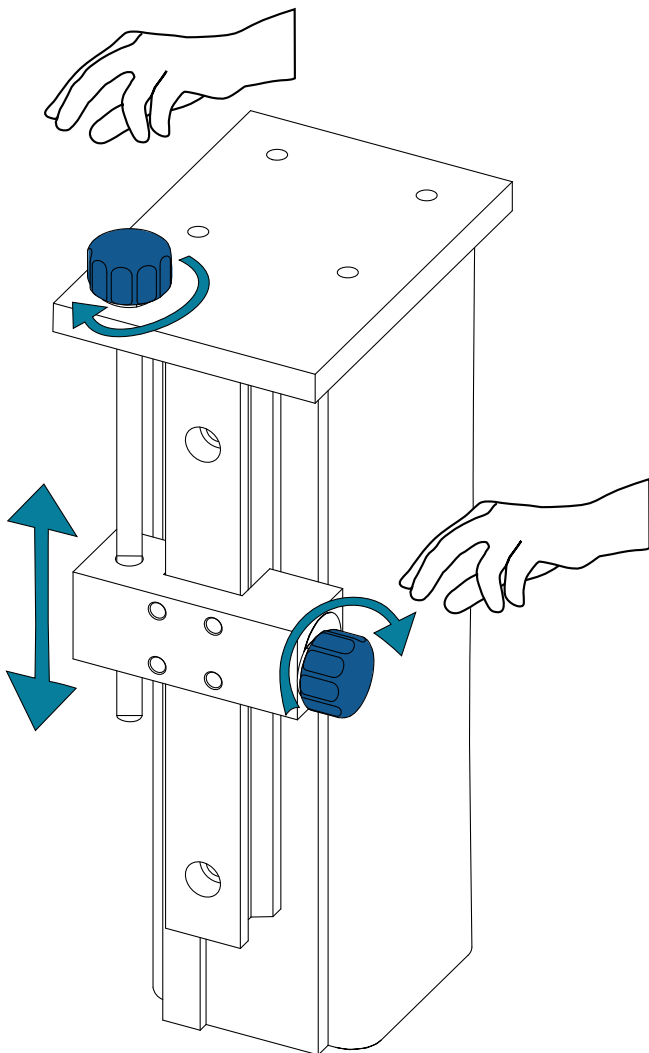
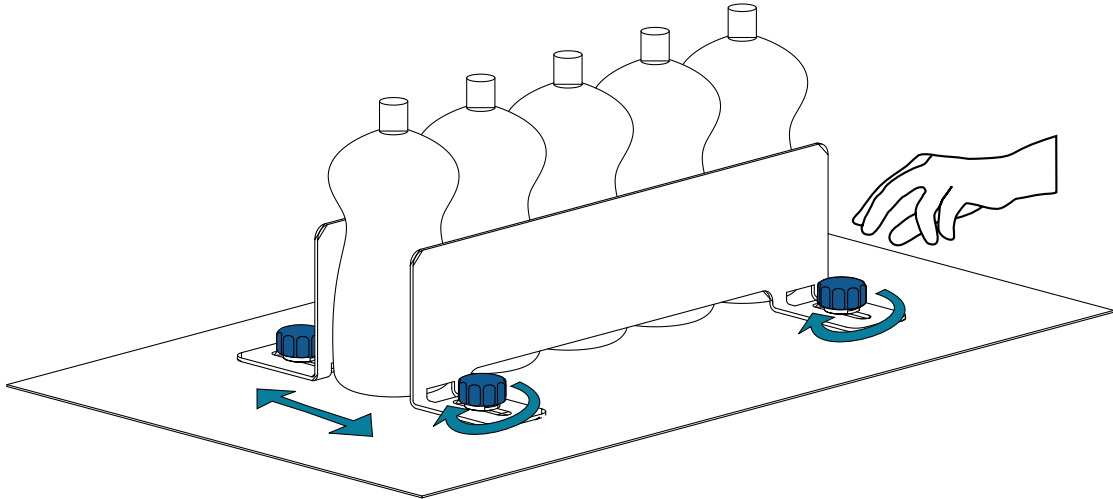
Info



# Easyknob

Baumann Maschinenbau | Aathalstrasse 84 | 8610 Uster | +41 (0)52 511 50 52 | info@bmbau.ch | www.bmbau.ch

Applications:



Info

